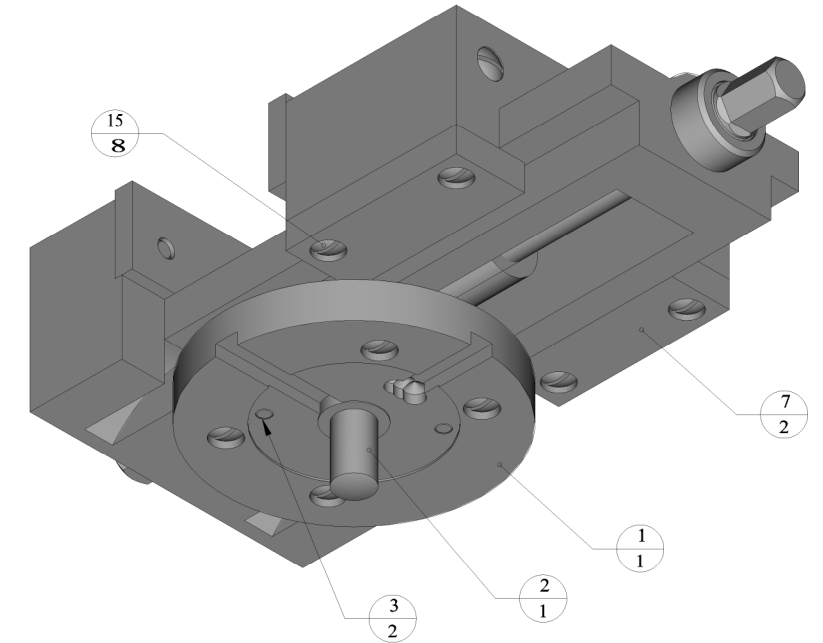
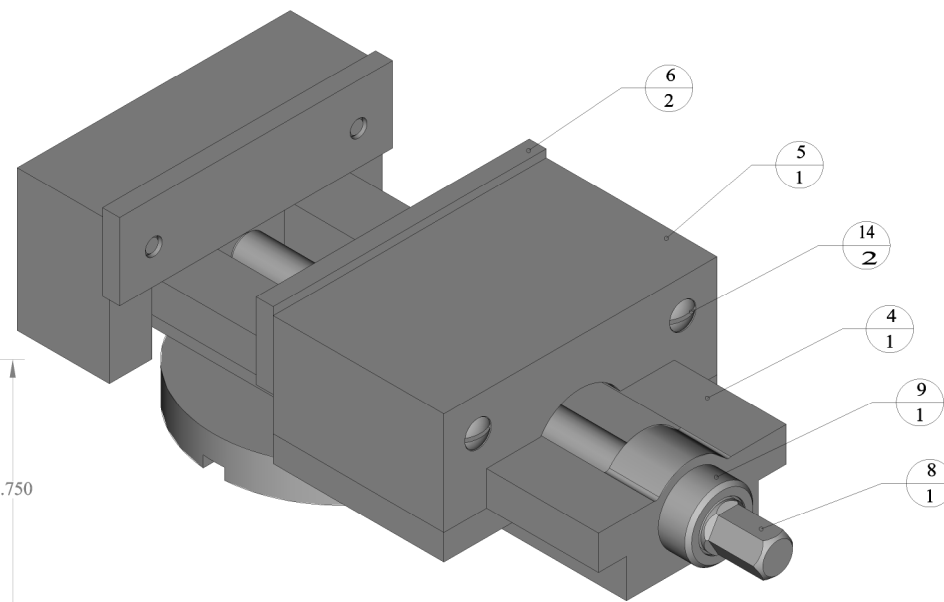
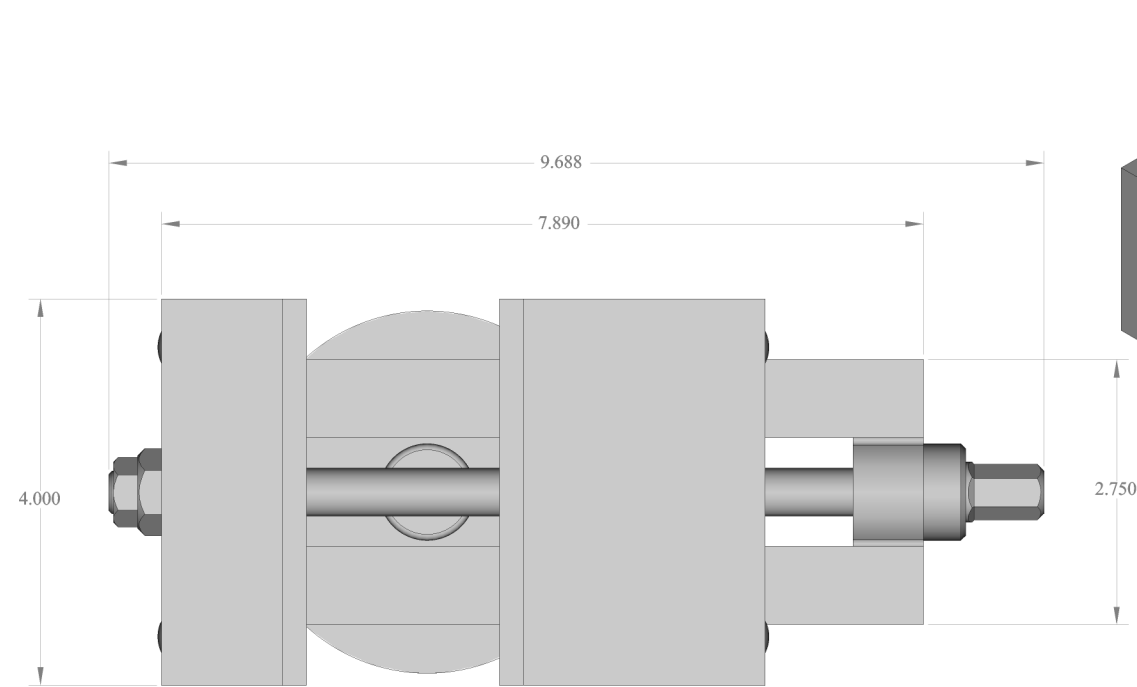
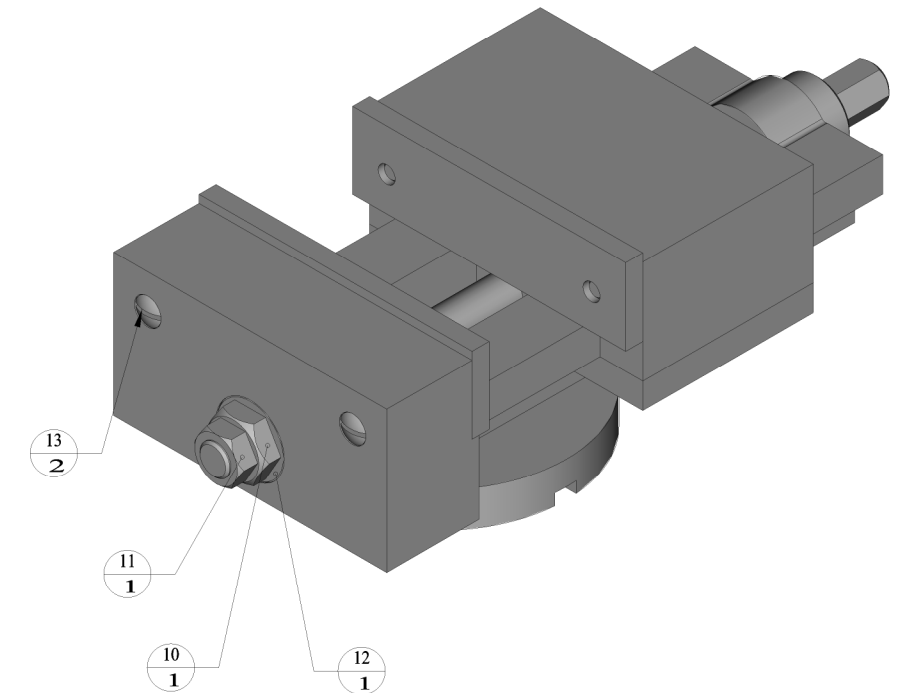
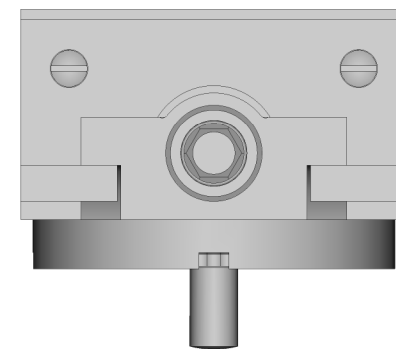
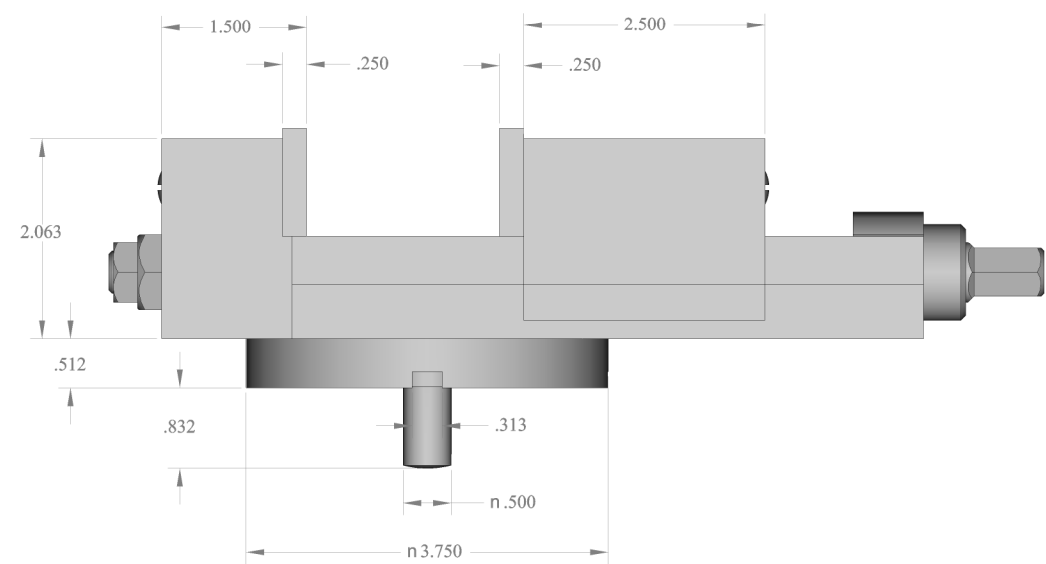


ECO	REV	DESCRIPTION	DATE	DONE BY
----	A	PRELIMINARY RELEASE #		



ITEM NO.	QTY.	PART NO.	DESCRIPTION
1	1	swivel base	
2	1	swivel screw	
3	2	shaper dowel	
4	1	vise body	
5	1	vise jaw	
6	2	vise jaw plate	
7	2	vise jaw retainer	
8	1	vise screw	
9	1	screw retainer	
10	1	big vise nut	
11	1	small vise nut	
12	1	screw washer	
13	2	short vise jaw screw	
14	2	long vise jaw screw	
15	8	vise jaw gib screw	



THIRD ANGLE PROJECTION

NOTE:  
1.

THIS DOCUMENT IS THE SOLE PROPERTY OF N.B.S. AND IS NOT TO BE REPRODUCED OR USED WITHOUT WRITTEN CONSENT. COUNTERSINK TAPPED HOLES TO FULL THREAD DIA. x 90°.

TOLERANCES UNLESS OTHERWISE SPECIFIED		NOTHING BUT STAINLESS		
X.XX ` .01	ANGULAR ± 1°	FINISH: SOMETIMES RUSTY	AMMCO SHAPER VISE ASSEMBLY	
X.XXX ` .005	ALL MACHINED SURFACES	MATERIAL: CAST IRON AND MILD STEEL	Dwg. No. shaper vise	
X.XXXX ` .001	FINISH: 63 MAX		SCALE: 1:1	UNITS: INCHES
FRAC. ` 1/64"	CORNER BREAK: .005"-.020"	CHECKED:	SHEET	1 OF 3
DRAWN BY: KDV	DATE: 10/19/01	SIZE D		
ENGINEER: KDV				